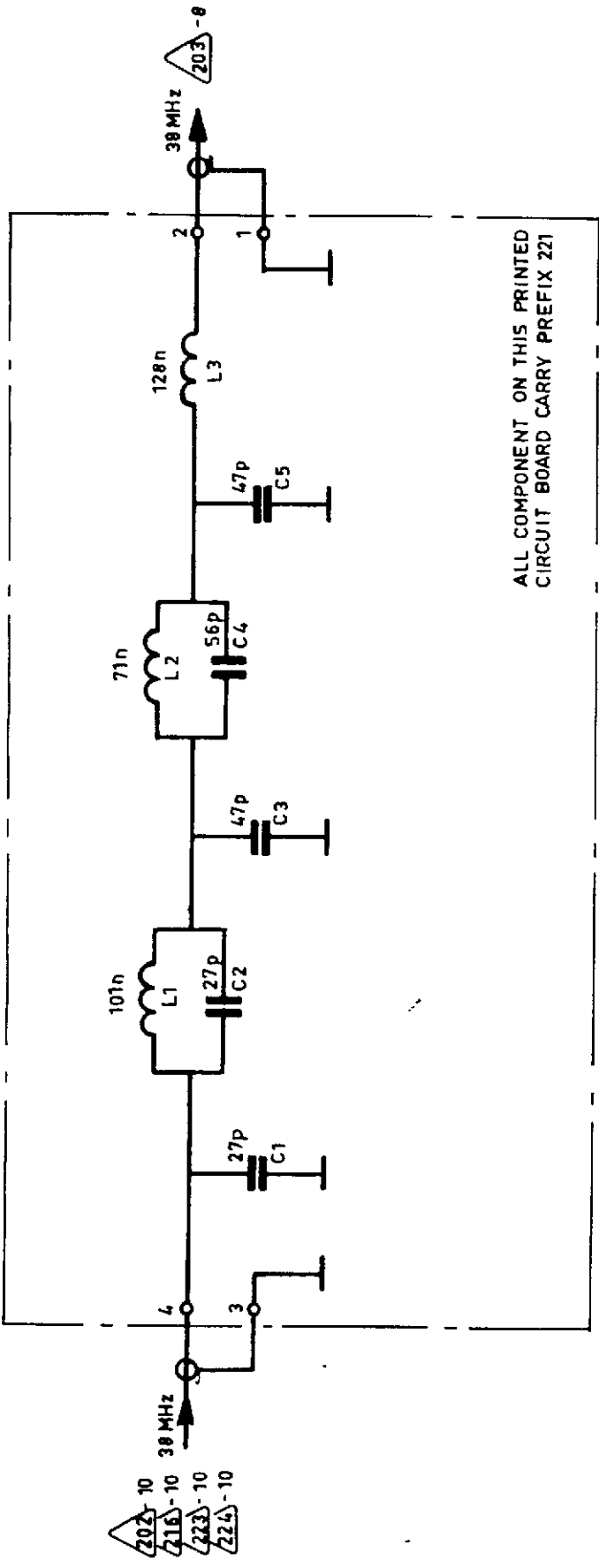


995 239 81

PRINTED CIRCUIT BOARD  221  
VIEWED FROM COMPONENT SIDE

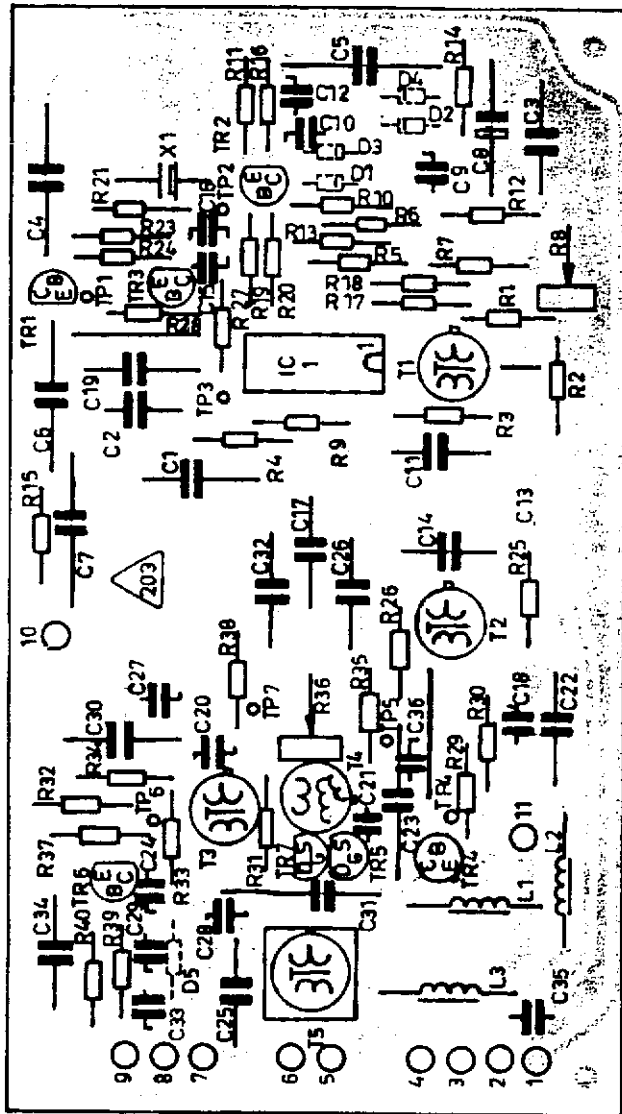


ALL COMPONENT ON THIS PRINTED  
CIRCUIT BOARD CARRY PREFIX 221



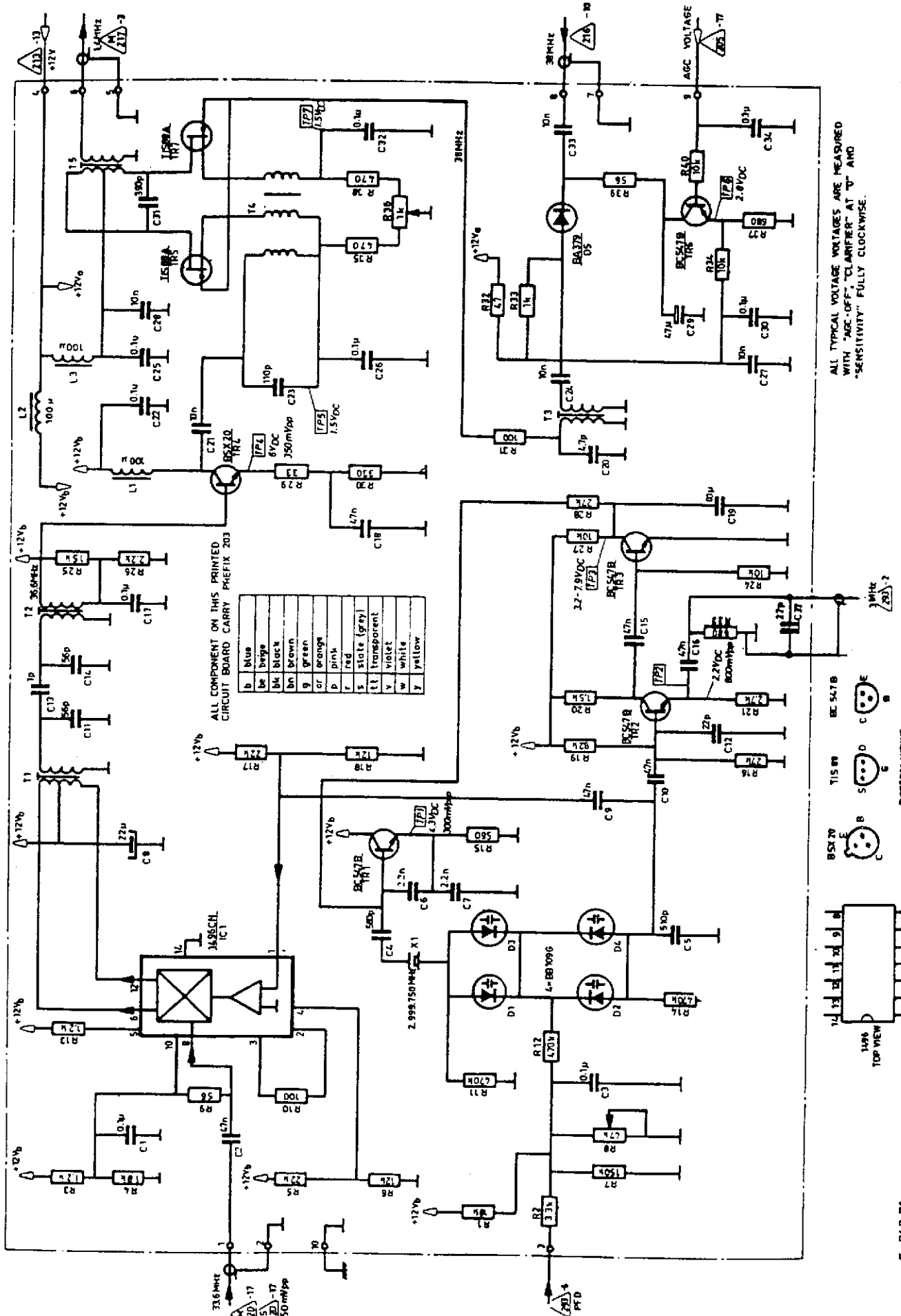
38 MHz FILTER

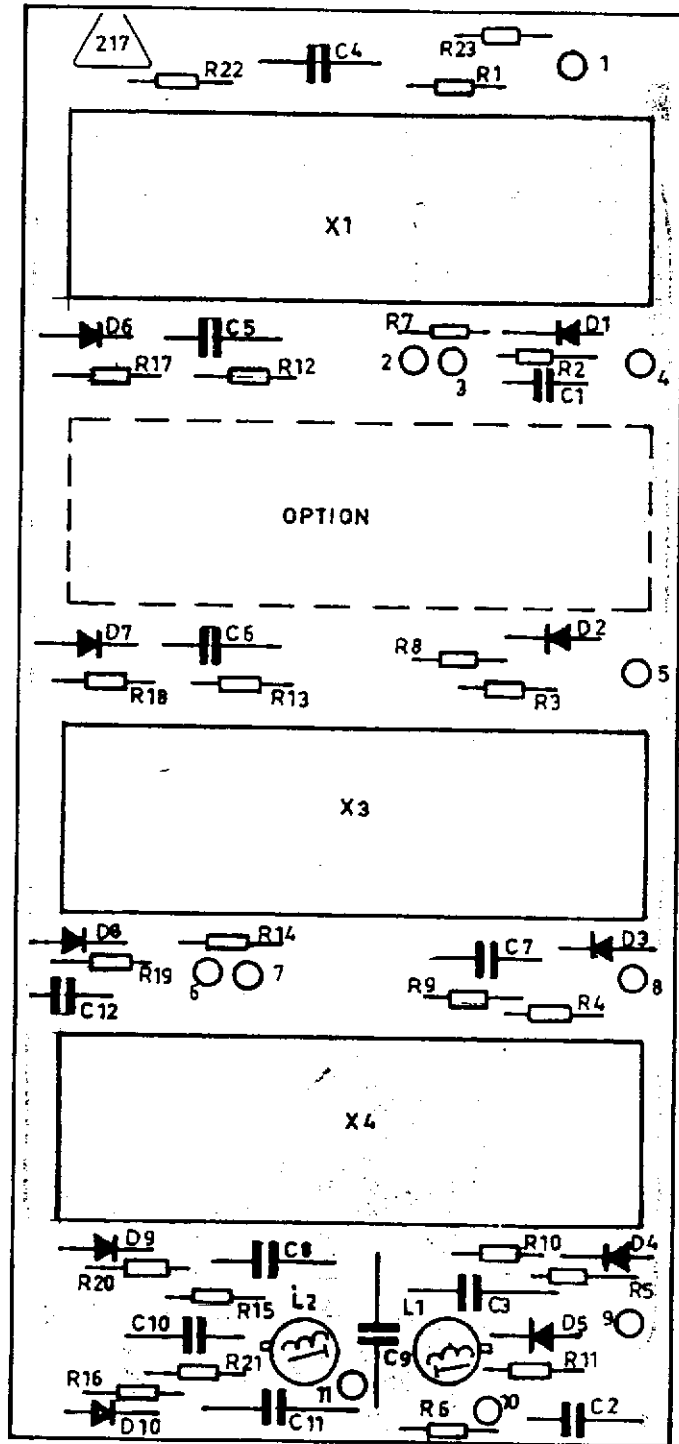
995 239 9①



PRINTED CIRCUIT BOARD 203  
 VIEWED FROM COMPONENT SIDE

995 205 92



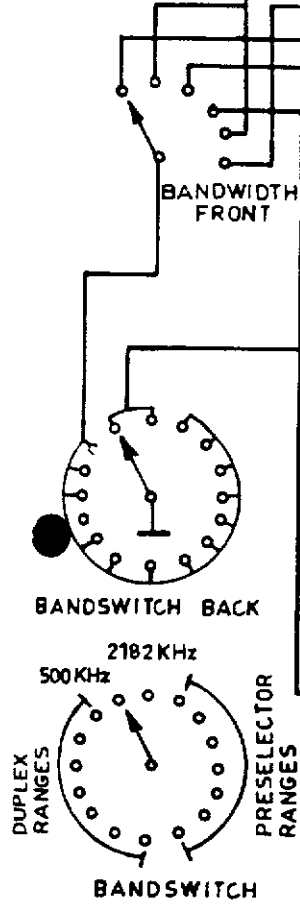
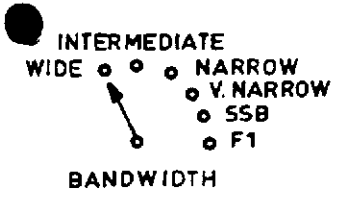




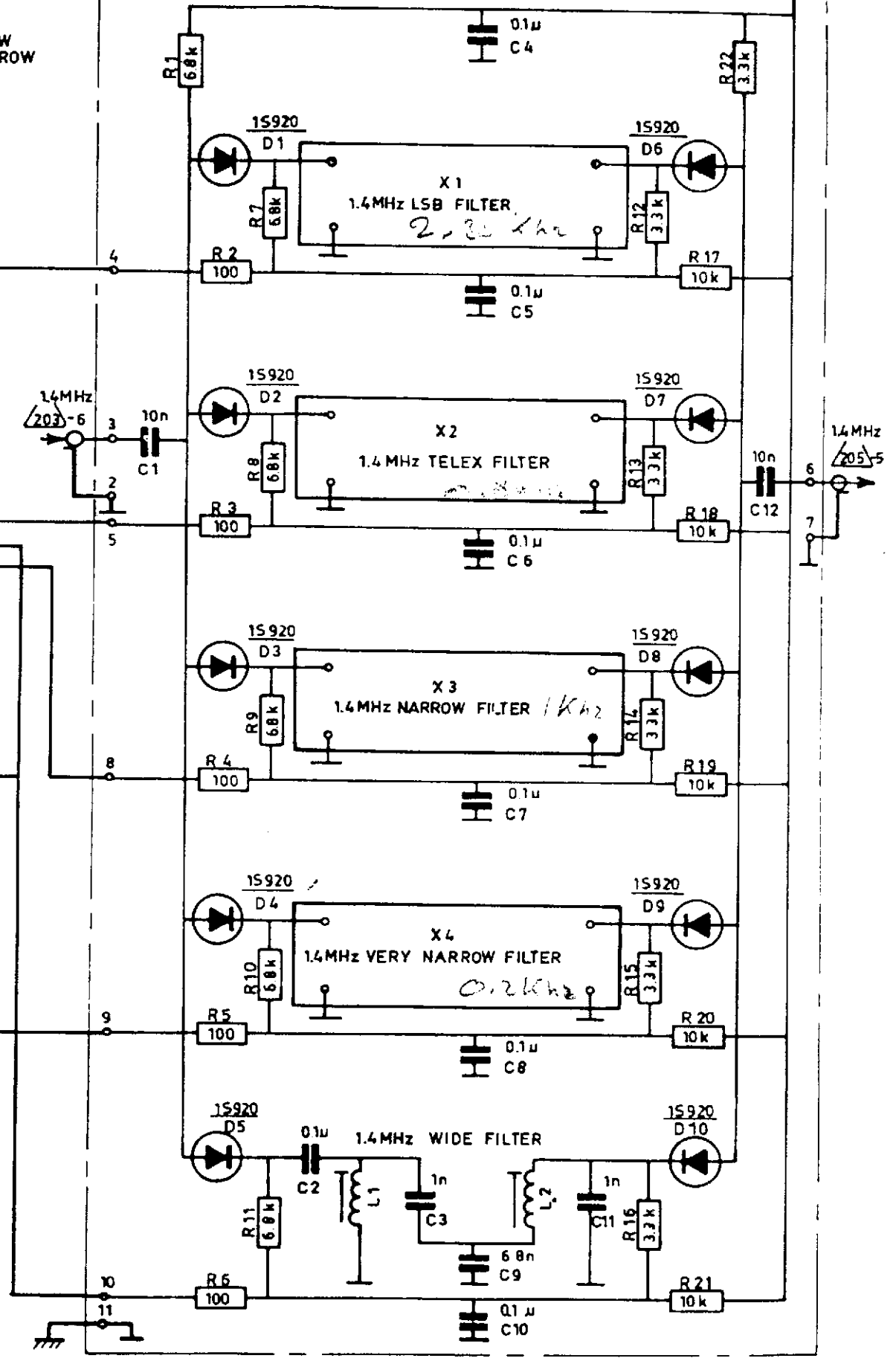
# IF-filters

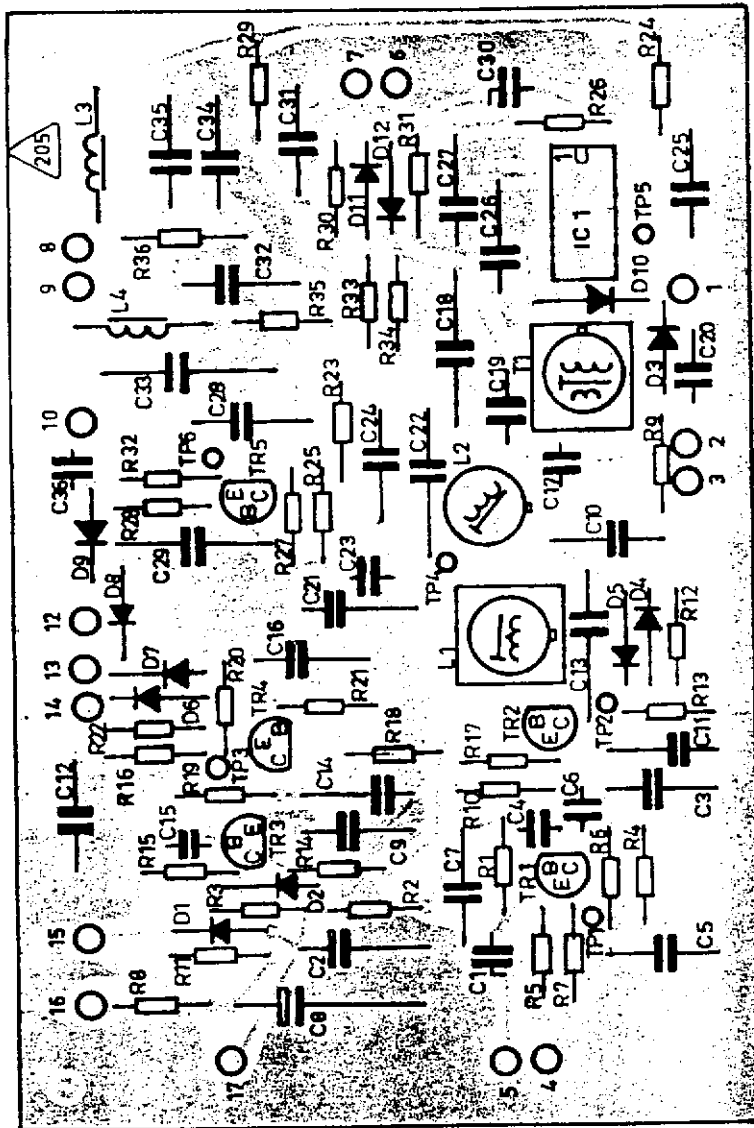
ALL COMPONENTS ON THIS PRINTED CIRCUIT BOARD CARRY PREFIX 217

+12V  
213 8

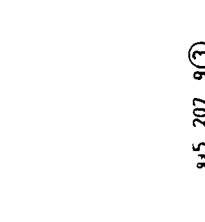
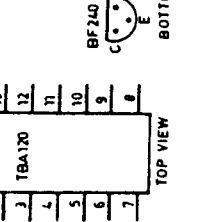
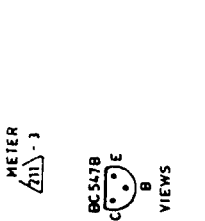
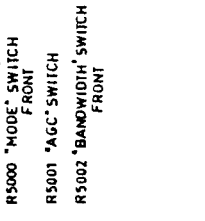
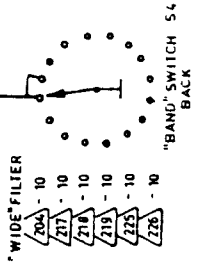
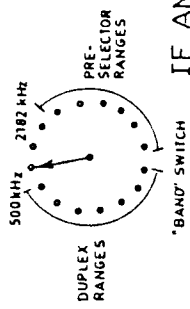
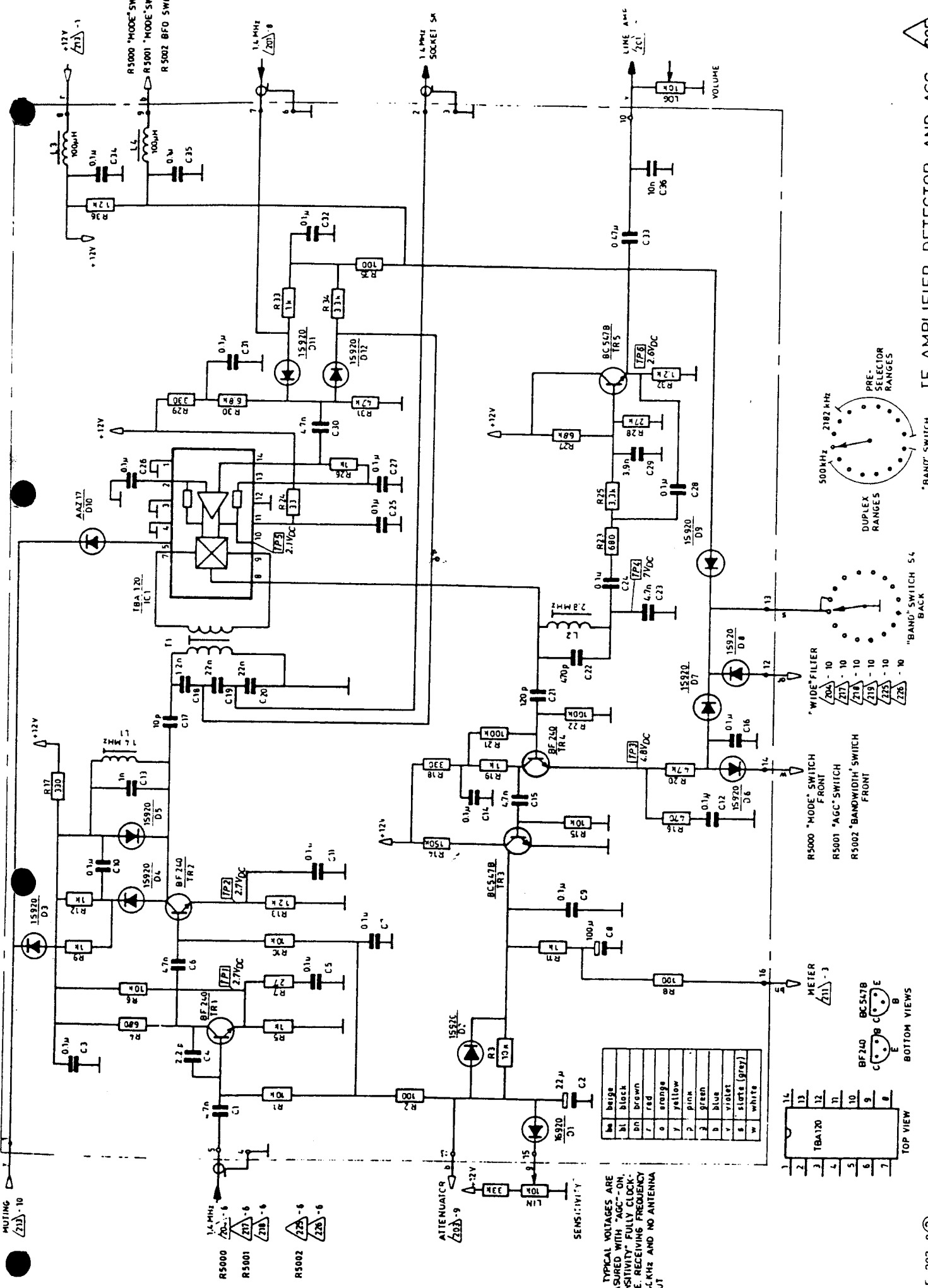


be	beige
bk	black
bn	brown
r	red
or	orange
y	yellow
p	pink
g	green
b	blue
v	violet
s	slate (grey)
w	white

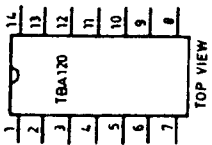




PRINTED CIRCUIT BOARD 205  
 VIEWED FROM COMPONENT SIDE

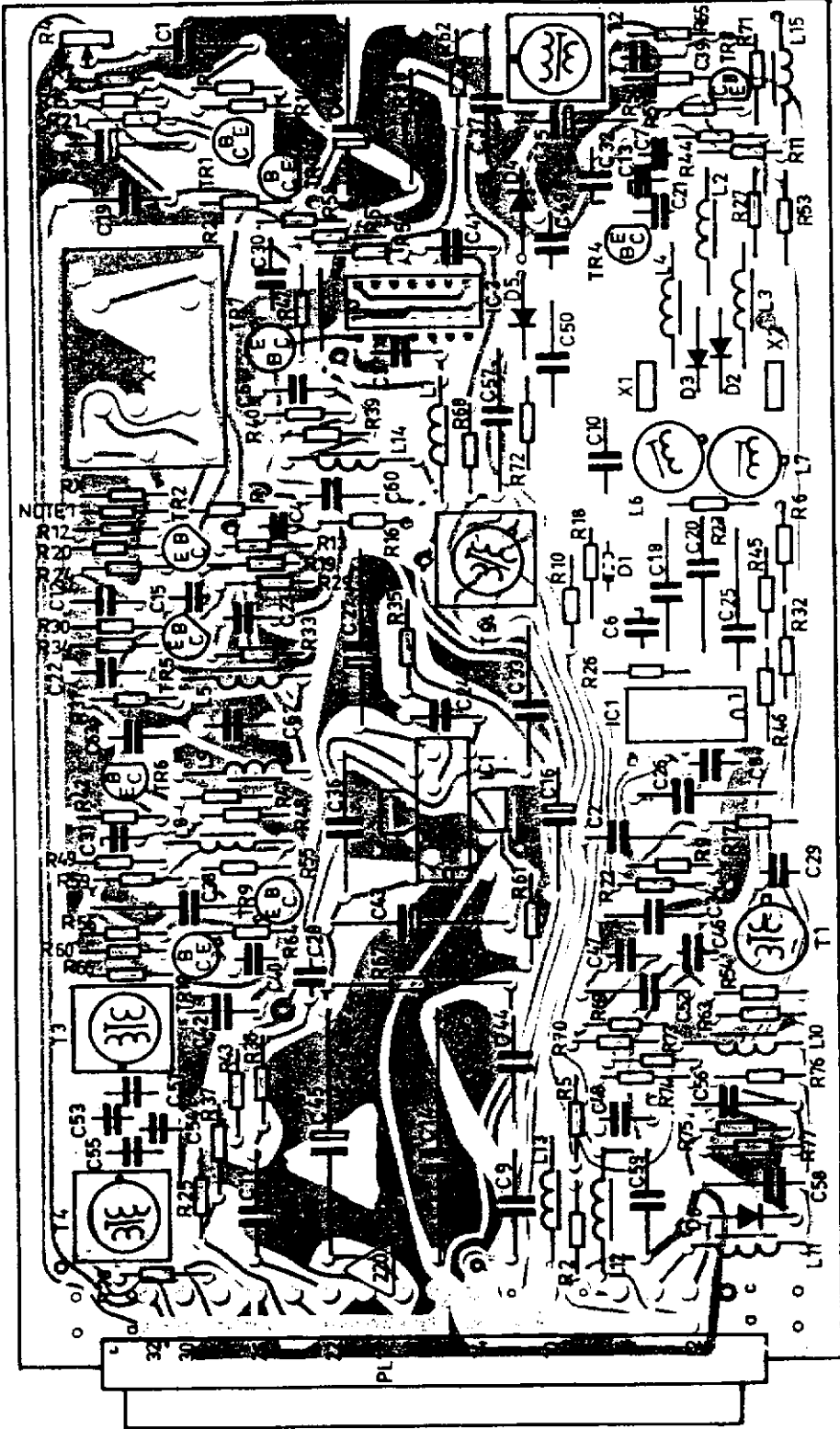


1	beige
2	black
3	brn brown
4	red
5	orange
6	yellow
7	pink
8	green
9	blue
10	violet
11	slate (grey)
12	white

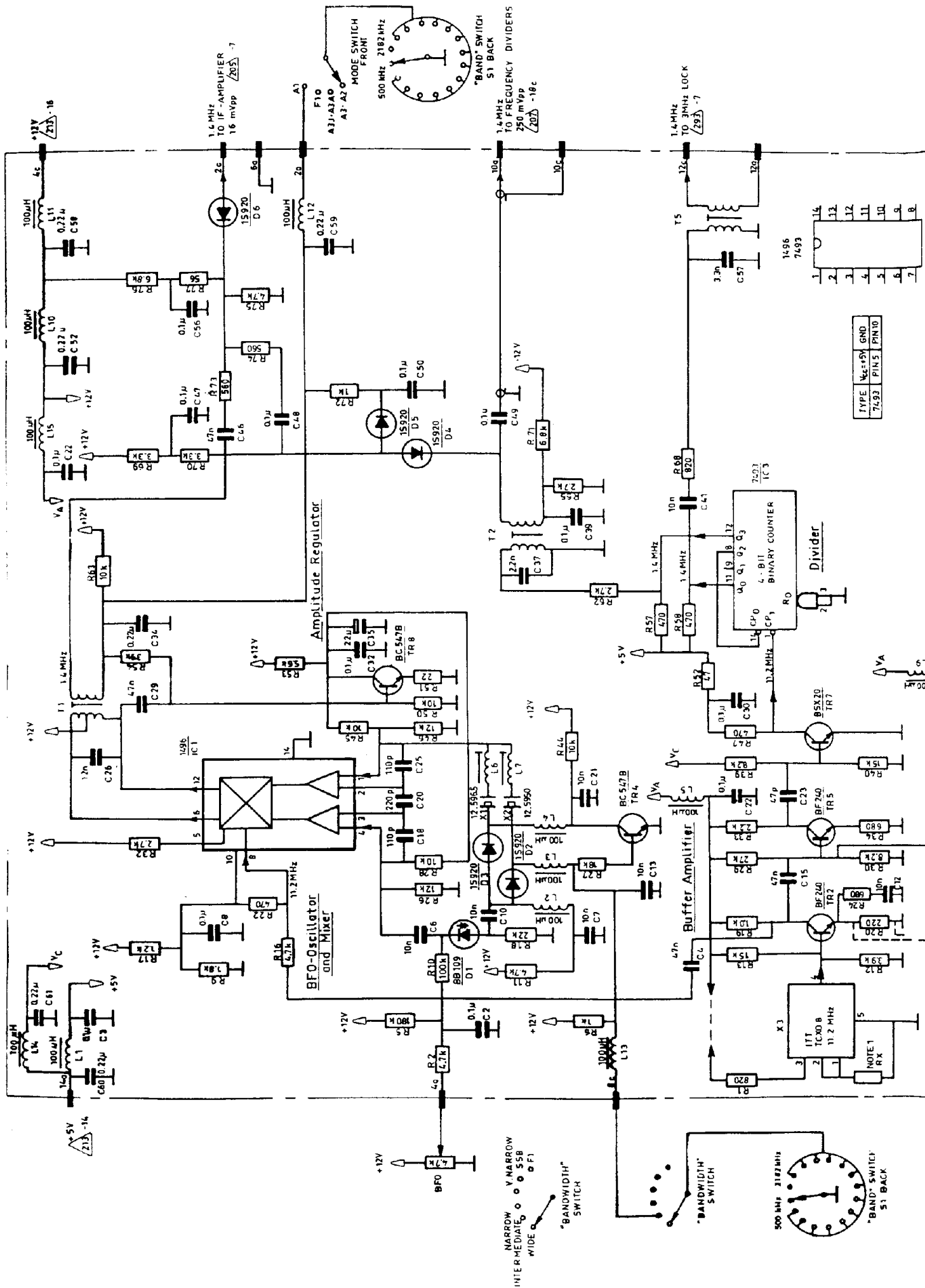


ALL TYPICAL VOLTAGES ARE MEASURED WITH "AGC"-ON, "SENSITIVITY" FULLY CLOCK-WISE, RECEIVING FREQUENCY > 300 kHz AND NO ANTENNA INPUT

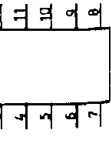




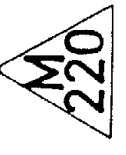
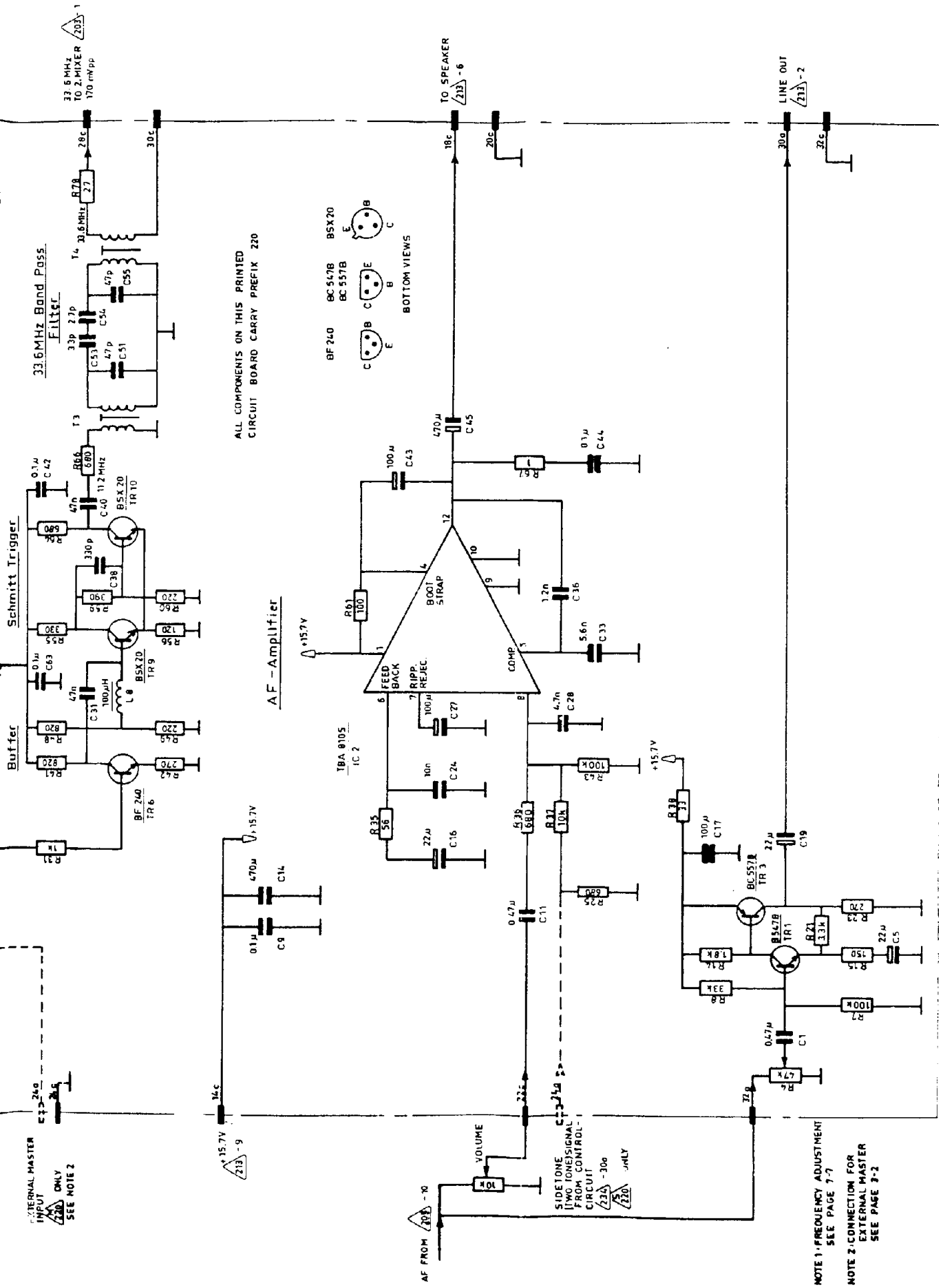
PRINTED CIRCUIT BOARD 220  
 VIEWED FROM COMPONENT SIDE



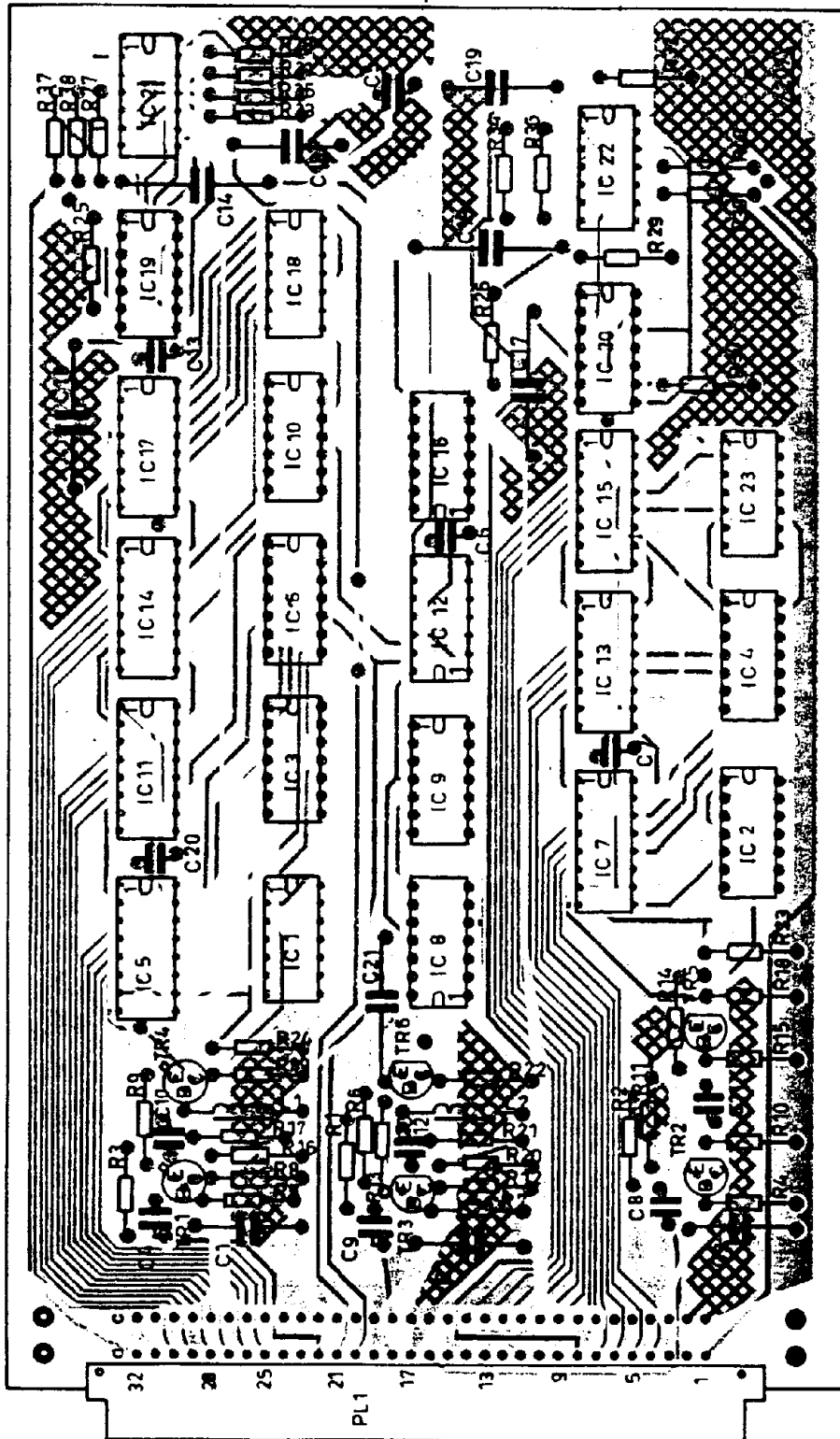
TYPE	V <sub>CC</sub> = +5V	GND
7493	PIN 5	PIN 10



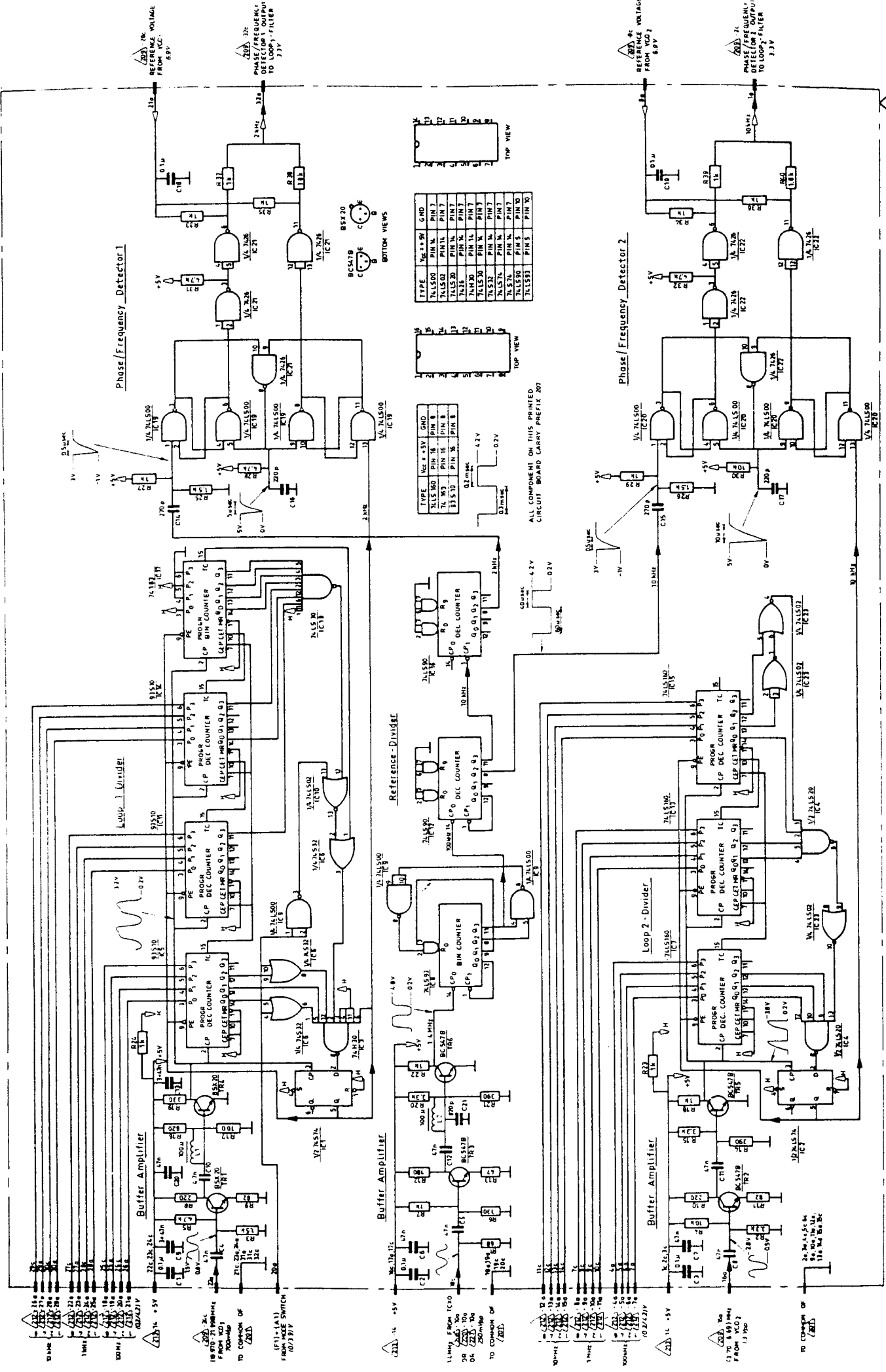


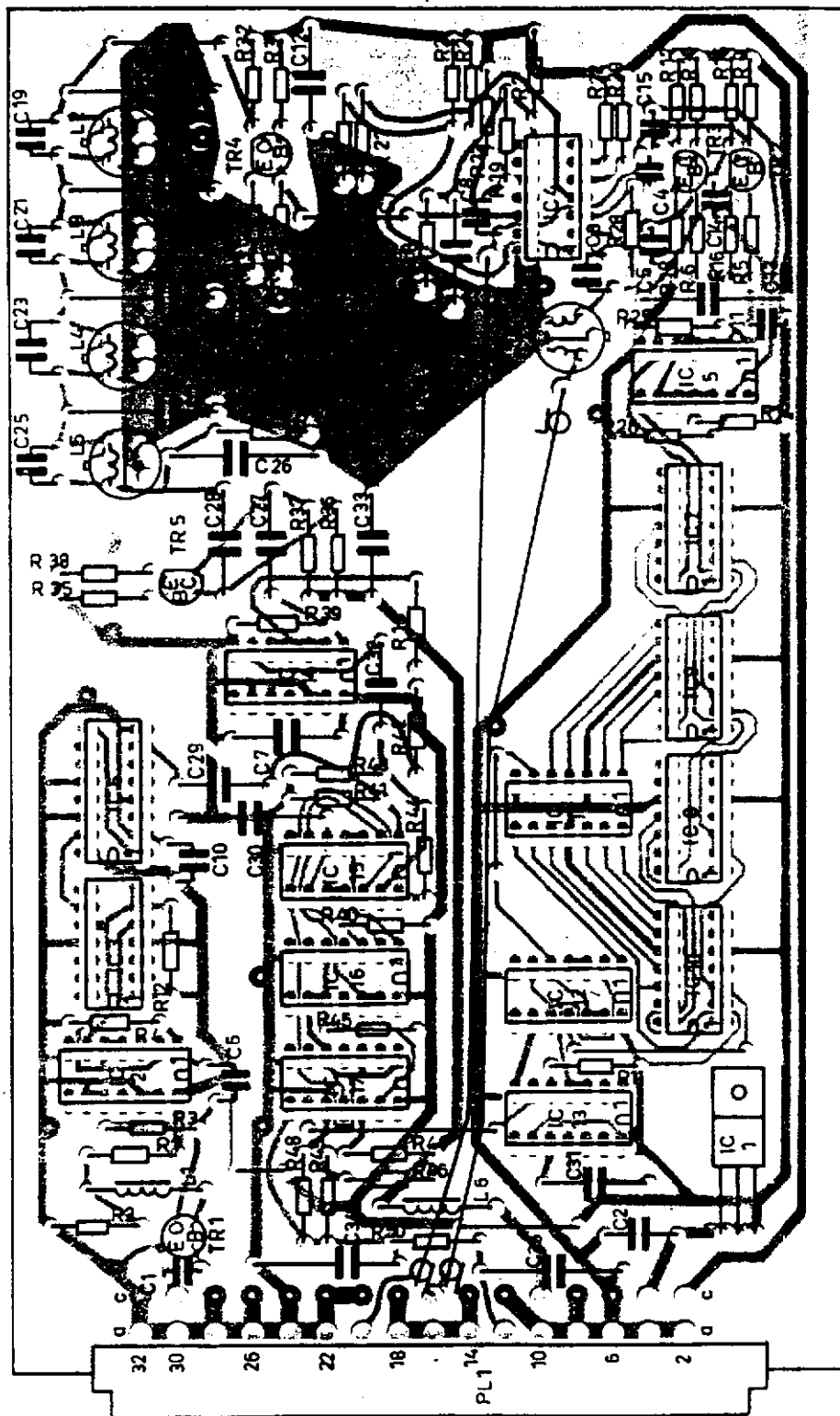


# AF AMPLIFIER



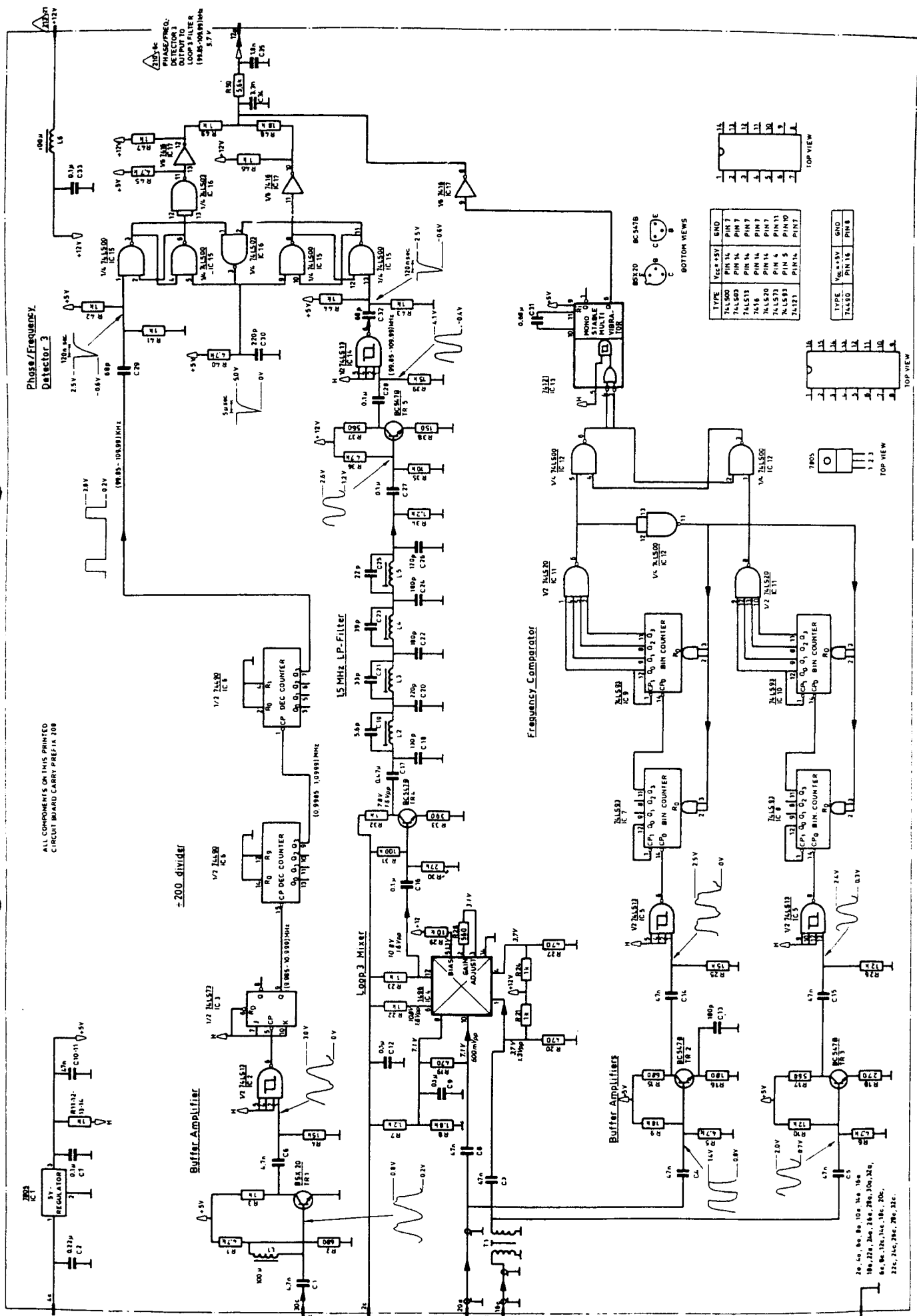
PRINTED CIRCUIT BOARD 207  
 VIEWED FROM COMPONENT SIDE





PRINTED CIRCUIT BOARD **208**  
 VIEWED FROM COMPONENT SIDE

375 209 31



Phase/Frequency Detector 3

200 divider

Loop Mixer

15 MHz LP-Filter

Frequency Comparator

Buffer Amplifiers

TYPE	VCC (+5V)	GND
74ALS00	PIN 14	PIN 7
74ALS03	PIN 14	PIN 7
74ALS10	PIN 14	PIN 7
74ALS11	PIN 14	PIN 7
74ALS12	PIN 14	PIN 7
74ALS13	PIN 14	PIN 7
74ALS14	PIN 14	PIN 7
74ALS15	PIN 14	PIN 7
74ALS16	PIN 14	PIN 7
74ALS17	PIN 14	PIN 7
74ALS18	PIN 14	PIN 7
74ALS19	PIN 14	PIN 7
74ALS20	PIN 14	PIN 7
74ALS21	PIN 14	PIN 7

TYPE	VCC (+5V)	GND
74ALS0	PIN 14	PIN 8
74ALS1	PIN 14	PIN 8
74ALS2	PIN 14	PIN 8
74ALS3	PIN 14	PIN 8
74ALS4	PIN 14	PIN 8
74ALS5	PIN 14	PIN 8
74ALS6	PIN 14	PIN 8
74ALS7	PIN 14	PIN 8
74ALS8	PIN 14	PIN 8
74ALS9	PIN 14	PIN 8
74ALS10	PIN 14	PIN 8
74ALS11	PIN 14	PIN 8
74ALS12	PIN 14	PIN 8
74ALS13	PIN 14	PIN 8
74ALS14	PIN 14	PIN 8
74ALS15	PIN 14	PIN 8
74ALS16	PIN 14	PIN 8
74ALS17	PIN 14	PIN 8
74ALS18	PIN 14	PIN 8
74ALS19	PIN 14	PIN 8
74ALS20	PIN 14	PIN 8
74ALS21	PIN 14	PIN 8

TOP VIEW

TOP VIEW

TOP VIEW

TOP VIEW

TOP VIEW

TOP VIEW

TOP VIEW

TOP VIEW

TOP VIEW

TOP VIEW

TOP VIEW

TOP VIEW

TOP VIEW

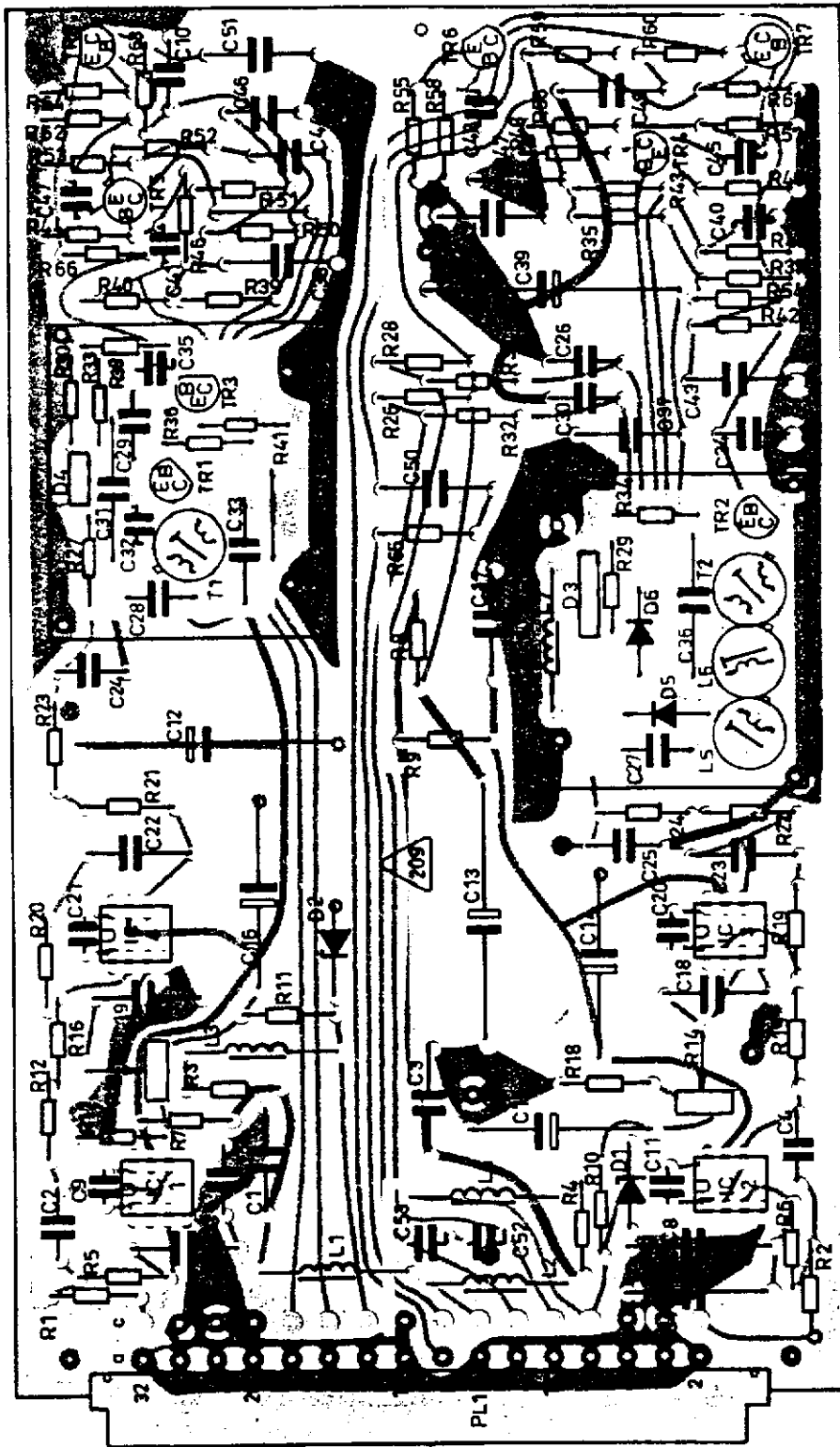
TOP VIEW

ALL COMPONENTS ON THIS PRINTED CIRCUIT BOARD CARRY PARTS 100

TO COMMON OF (20)

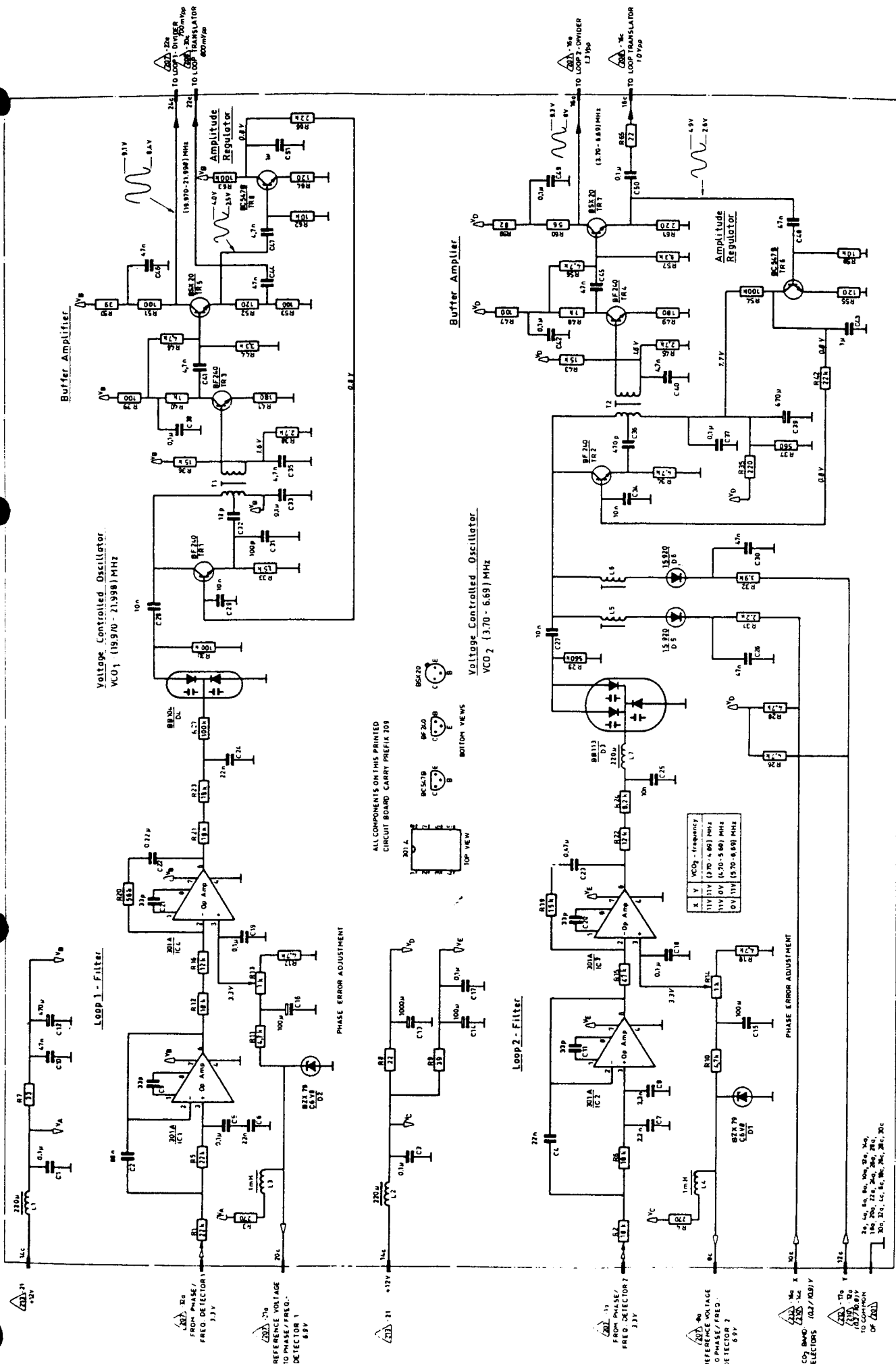
20, 40, 60, 80, 100, 150, 200, 300, 400, 500, 1K, 2K, 3K, 4K, 5K, 10K, 15K, 20K, 30K, 40K, 50K, 100K, 150K, 200K, 300K, 400K, 500K, 1M, 1.5M, 2M, 3M, 4M, 5M, 10M, 15M, 20M, 30M, 40M, 50M, 100M, 150M, 200M, 300M, 400M, 500M, 1G, 1.5G, 2G, 3G, 4G, 5G, 10G, 15G, 20G, 30G, 40G, 50G, 100G, 150G, 200G, 300G, 400G, 500G, 1T, 1.5T, 2T, 3T, 4T, 5T, 10T, 15T, 20T, 30T, 40T, 50T, 100T, 150T, 200T, 300T, 400T, 500T

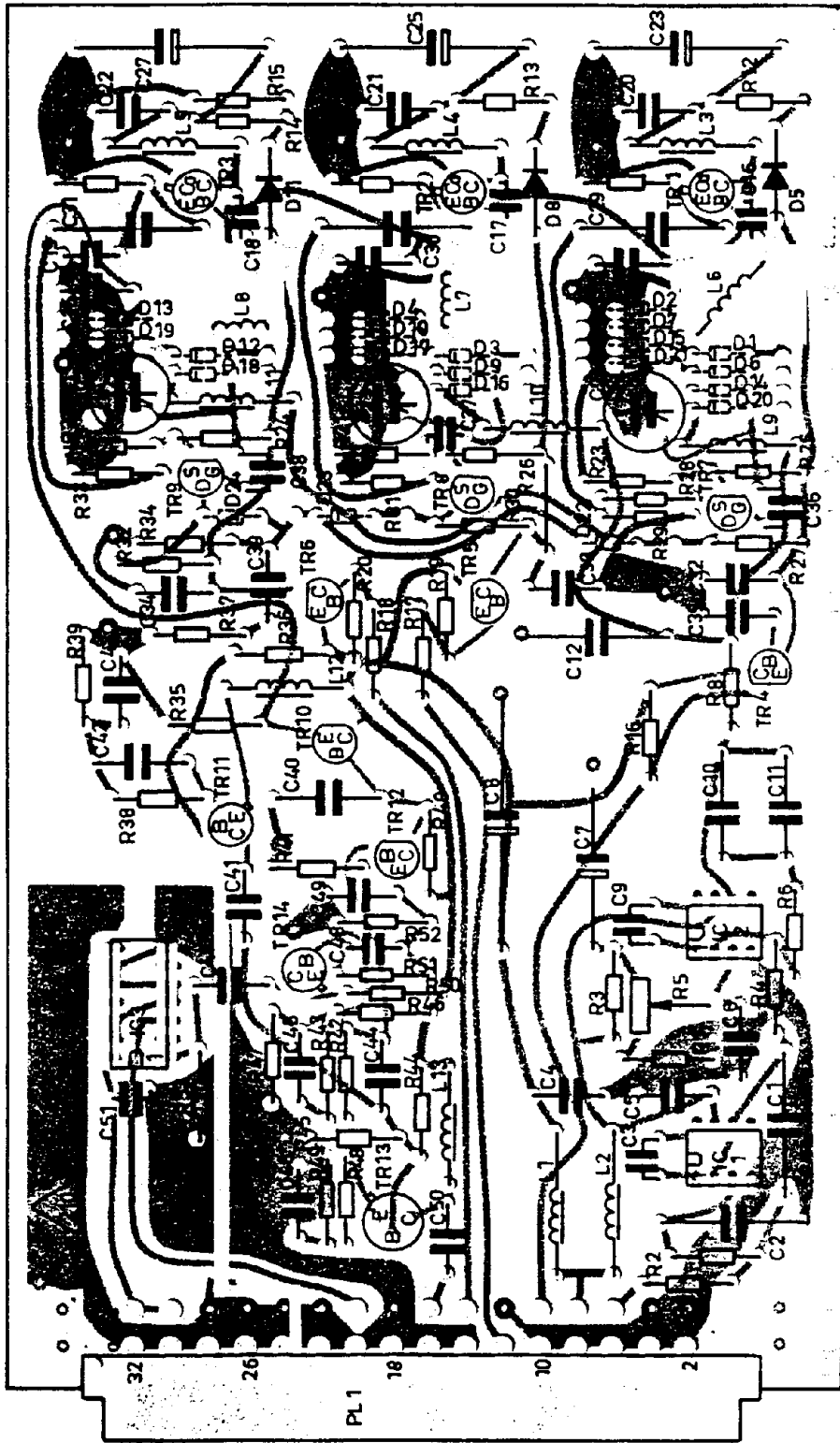




PRINTED CIRCUIT BOARD 209  
 VIEWED FROM COMPONENT SIDE

995 209 81





PRINTED CIRCUIT BOARD 210  
 VIEWED FROM COMPONENT SIDE

995 210 31